

1

2

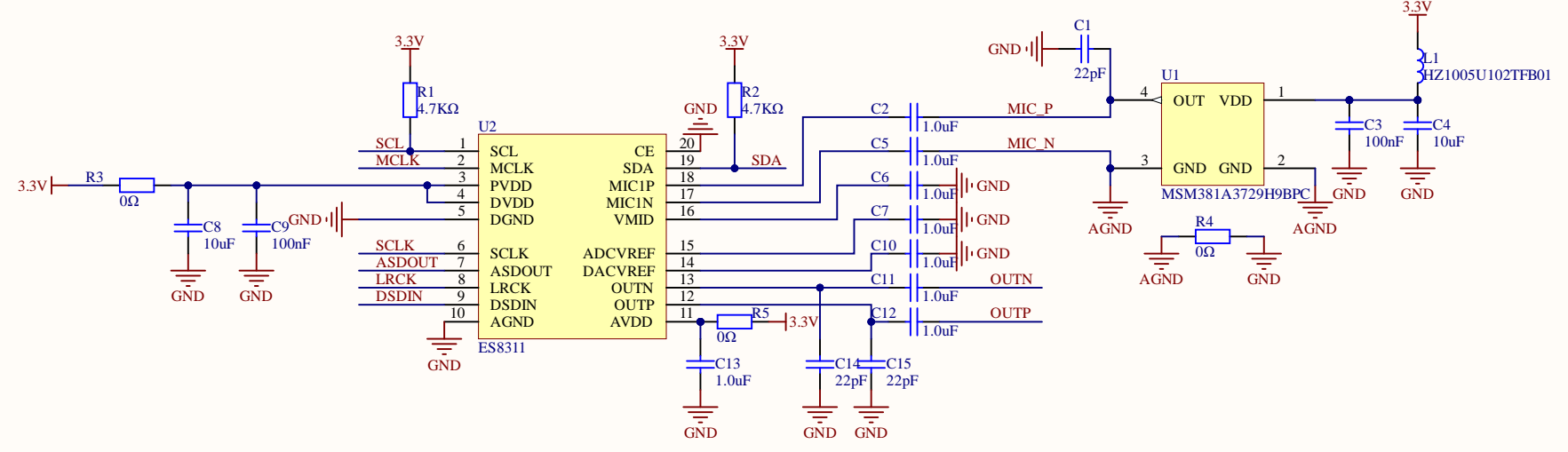
3

4

A

A

ES8311 address: CE pin low - 0x18, CE pin high - 0x19

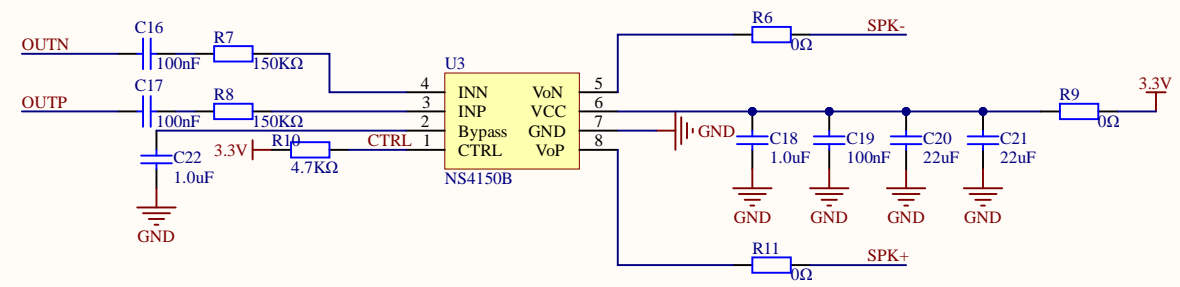


B

B

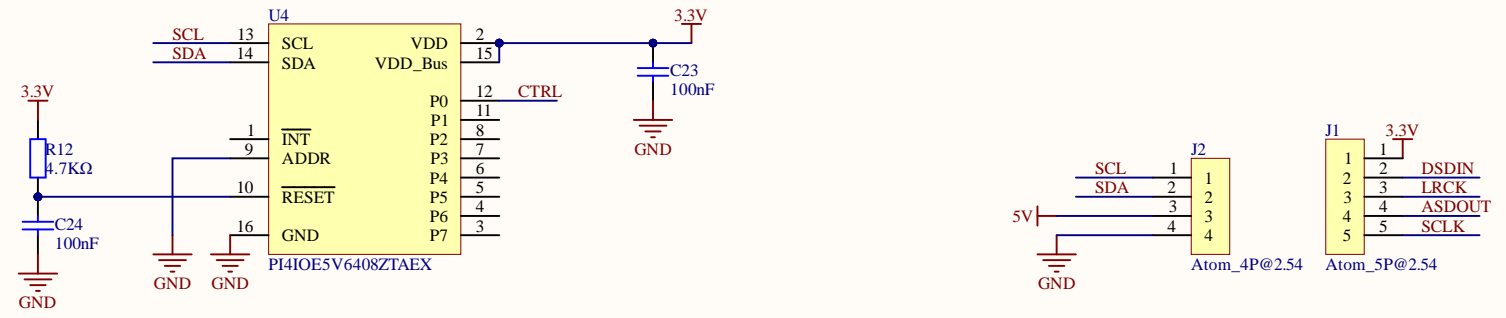
C

C



D

D



1

2

3

4