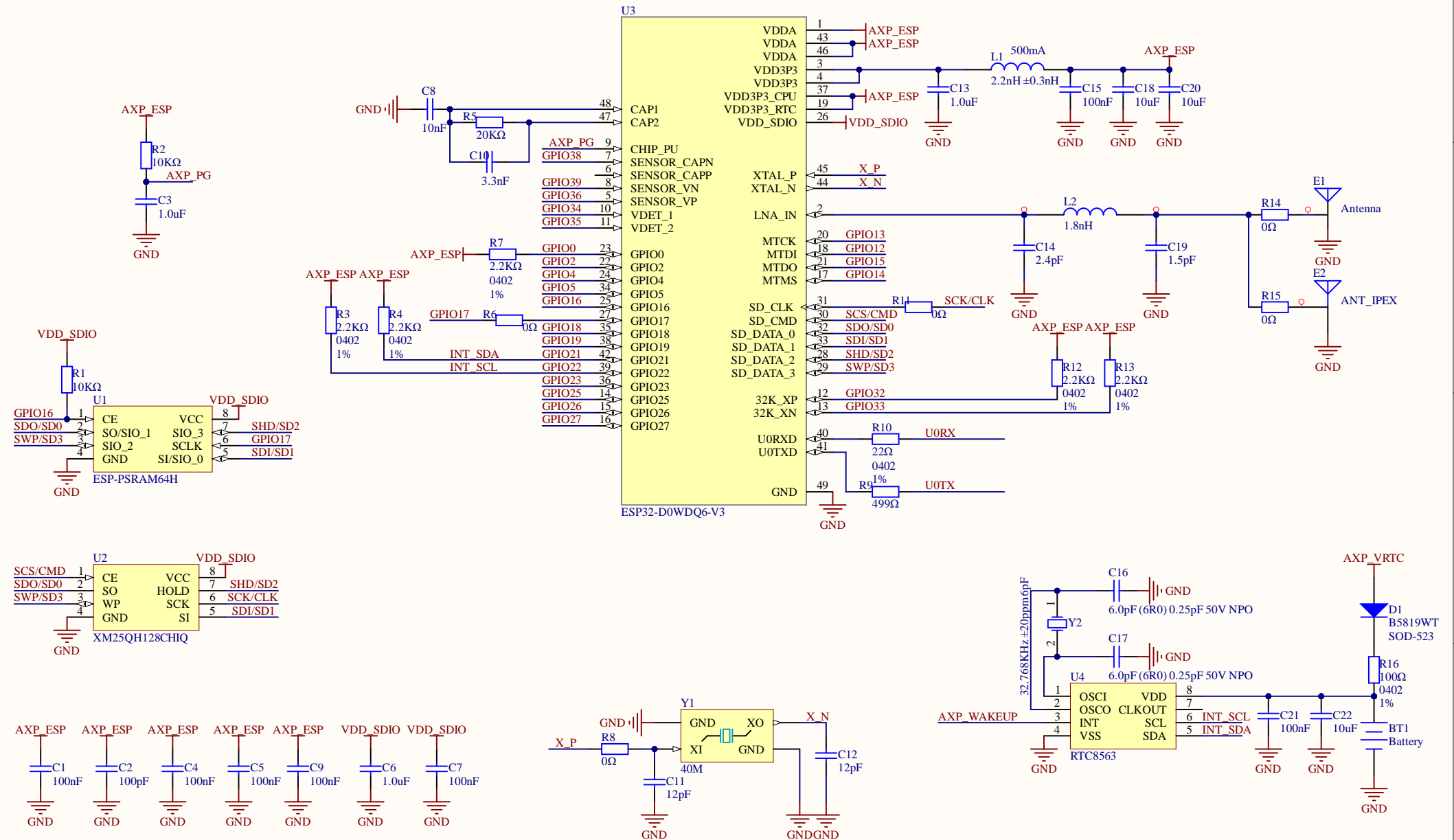
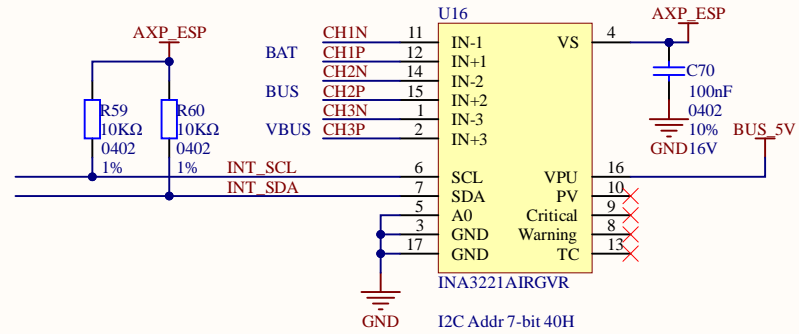
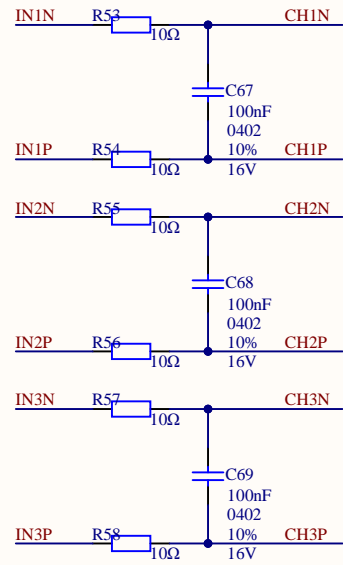


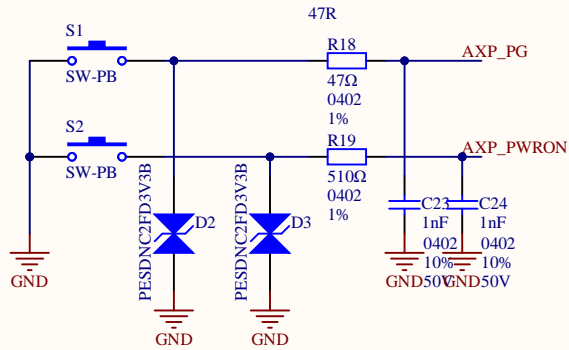
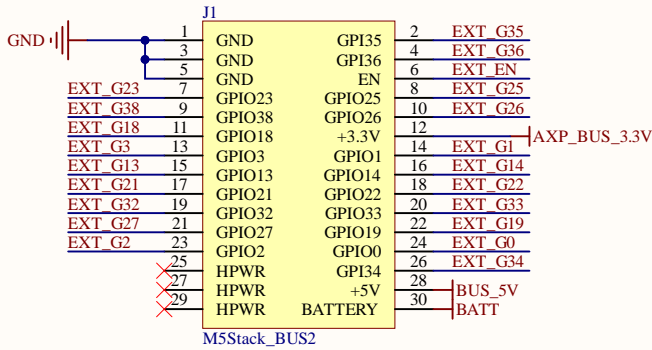
SoC:ESP32-D0WDQ6-V3



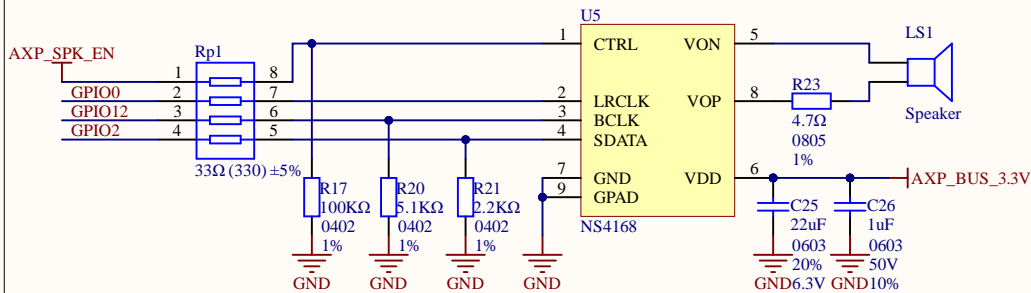
INA3221



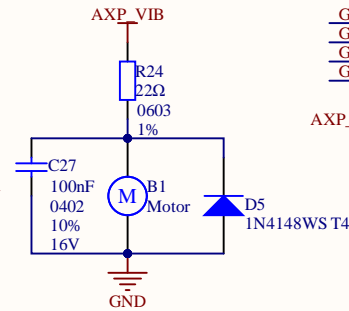
M-BUS



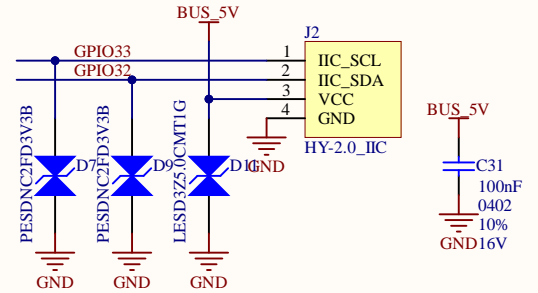
SPK



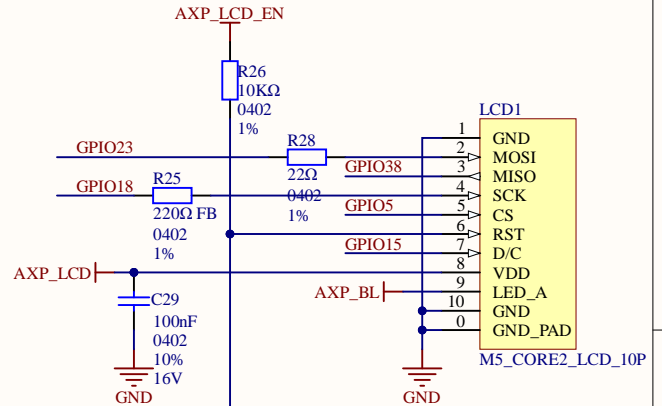
Vibration motor



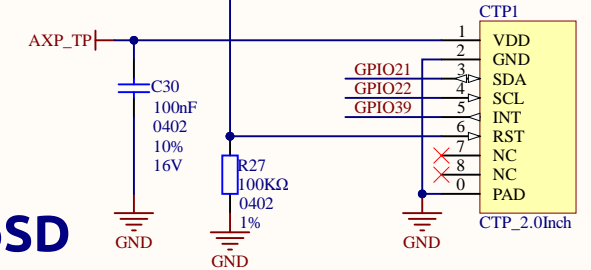
HY2.0-4P



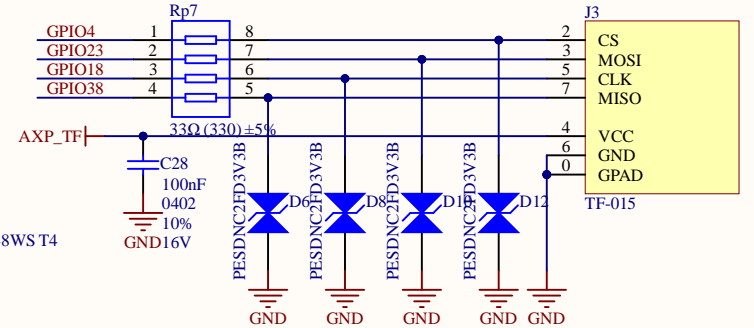
LCD



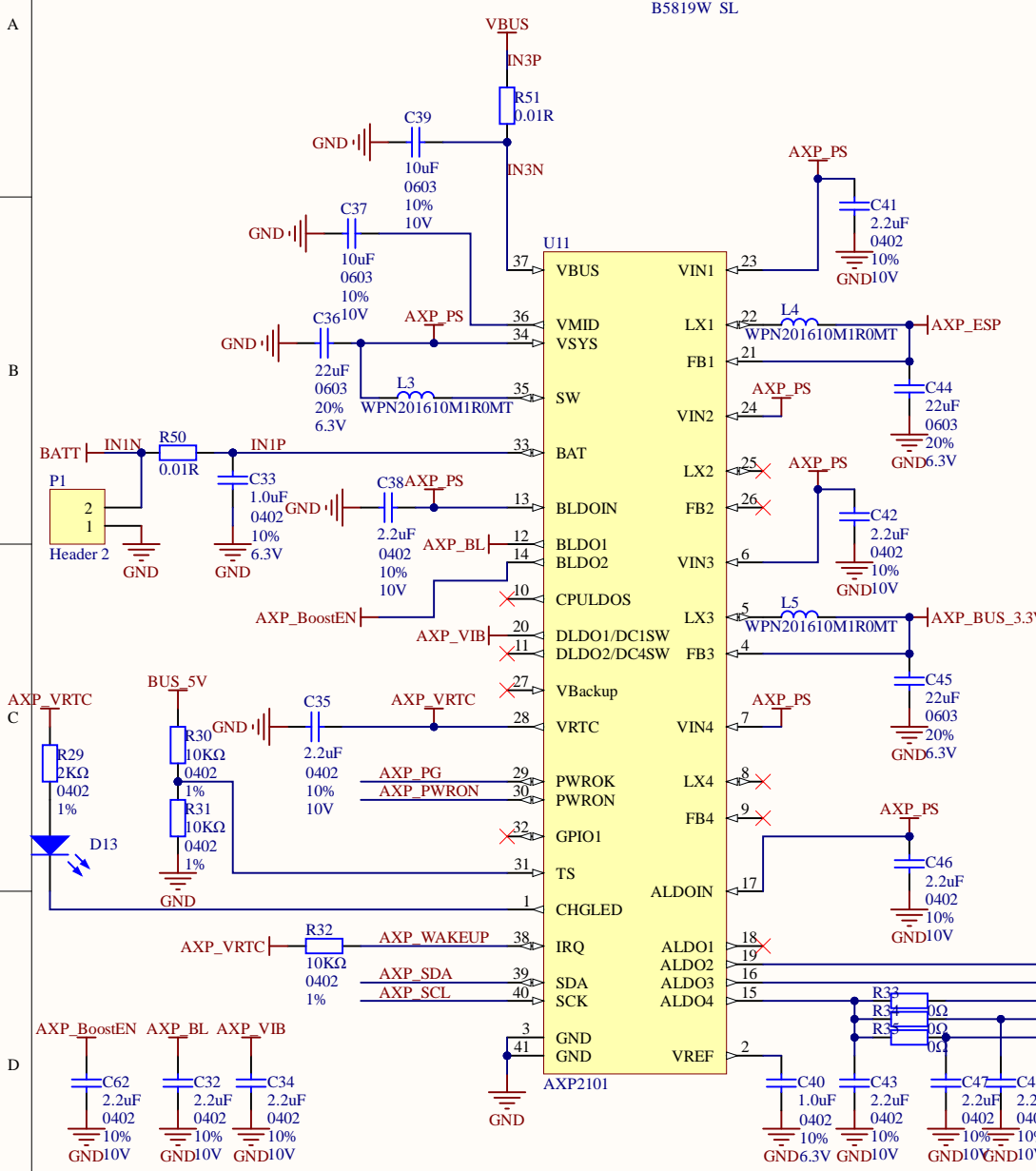
TP



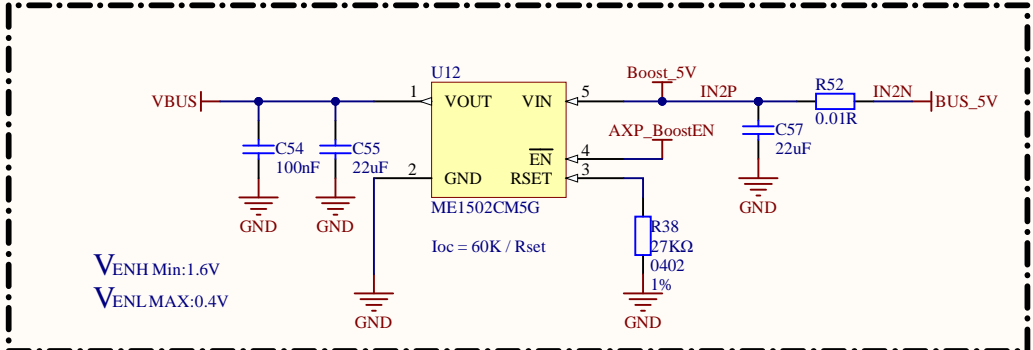
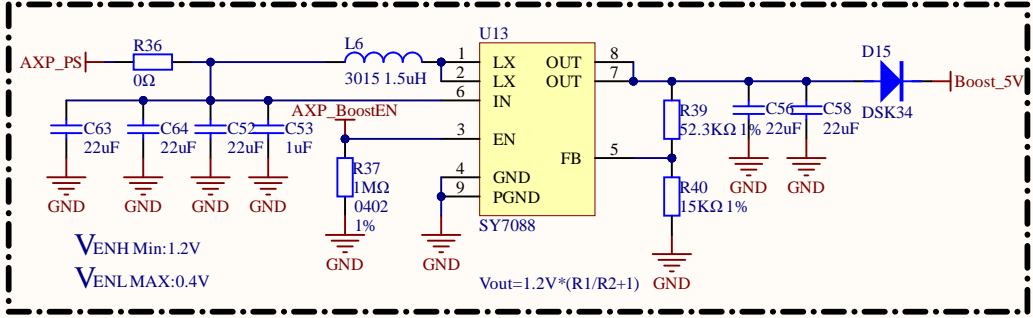
MicroSD



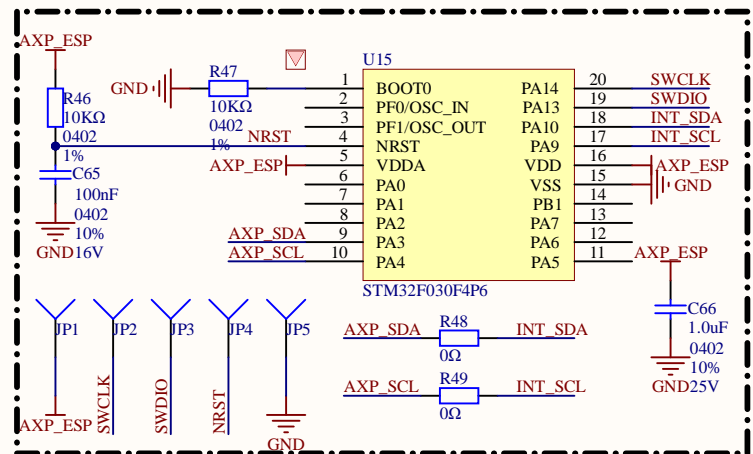
PMIC: AXP2101



Boost



opt.



USB to UART

