

Title		
Size A	Number	Revision
Date: 3/27/2024	Sheet of	
File: C:\F\...\A10-LCD.SchDoc	Drawn By:	

A

A

B

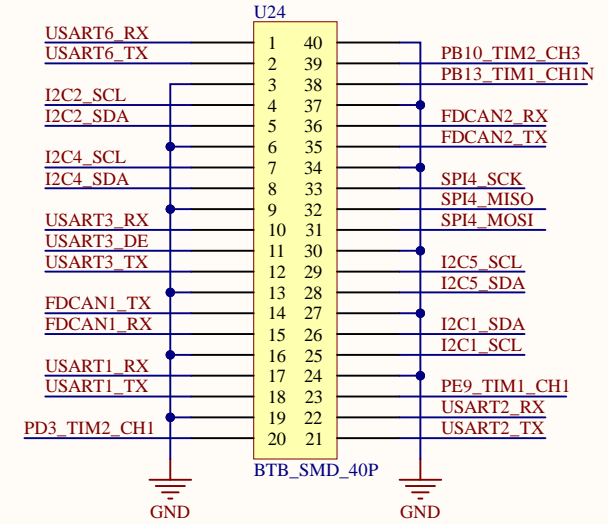
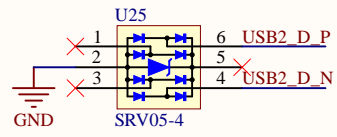
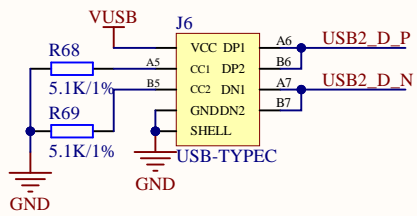
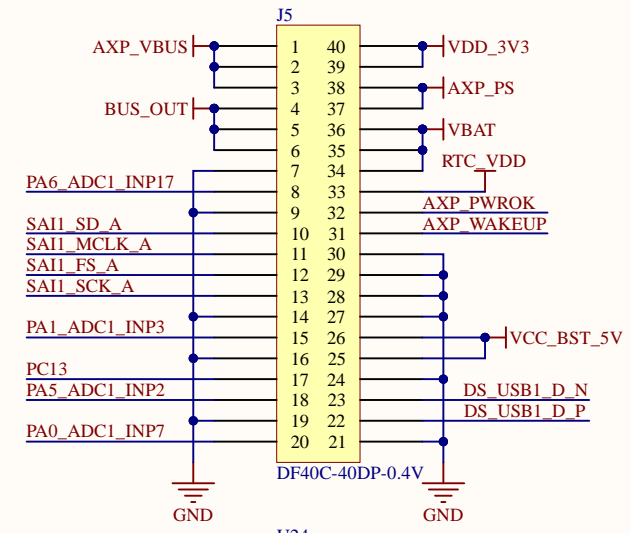
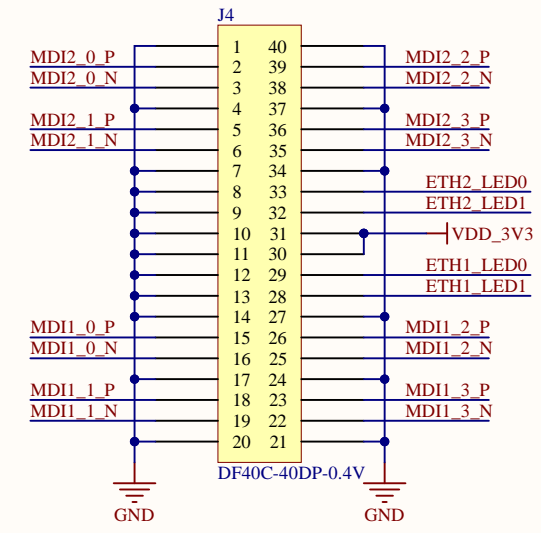
B

C

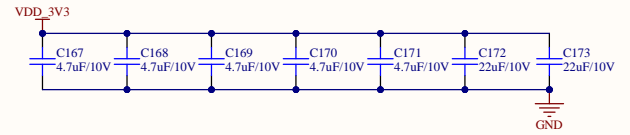
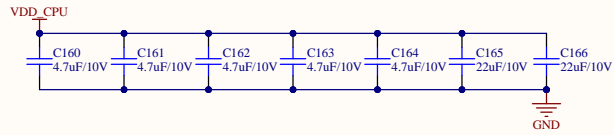
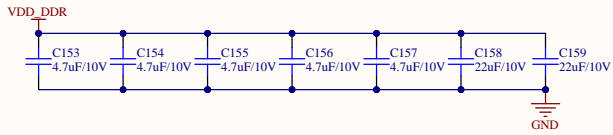
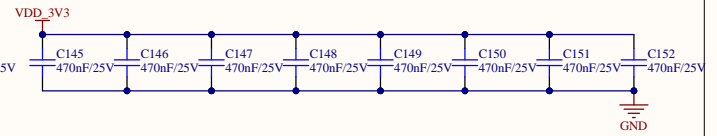
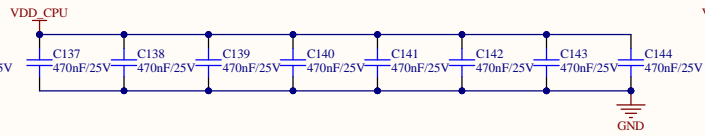
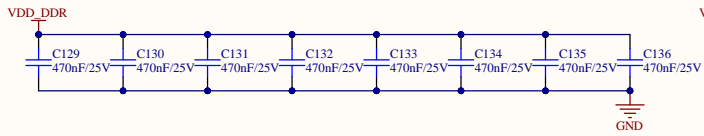
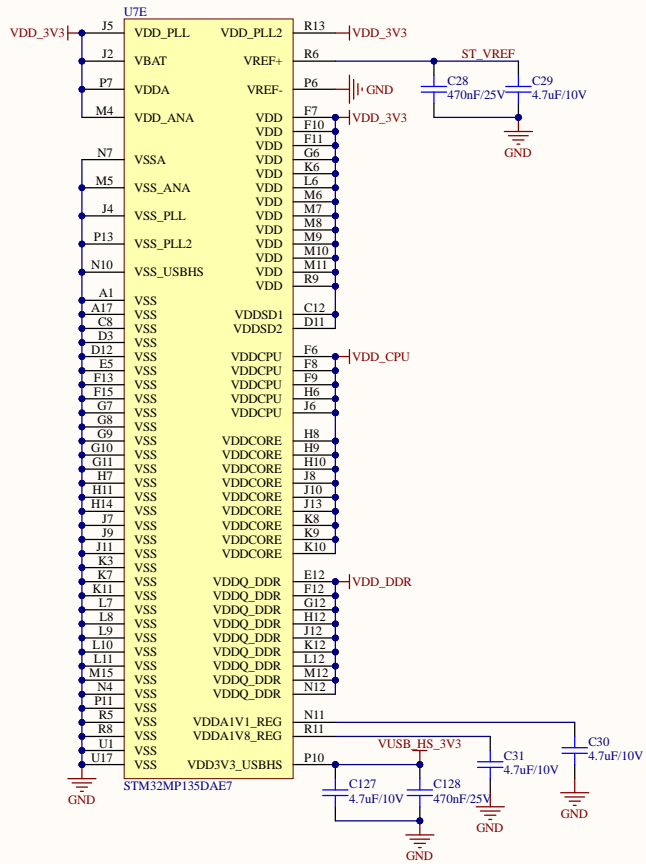
C

D

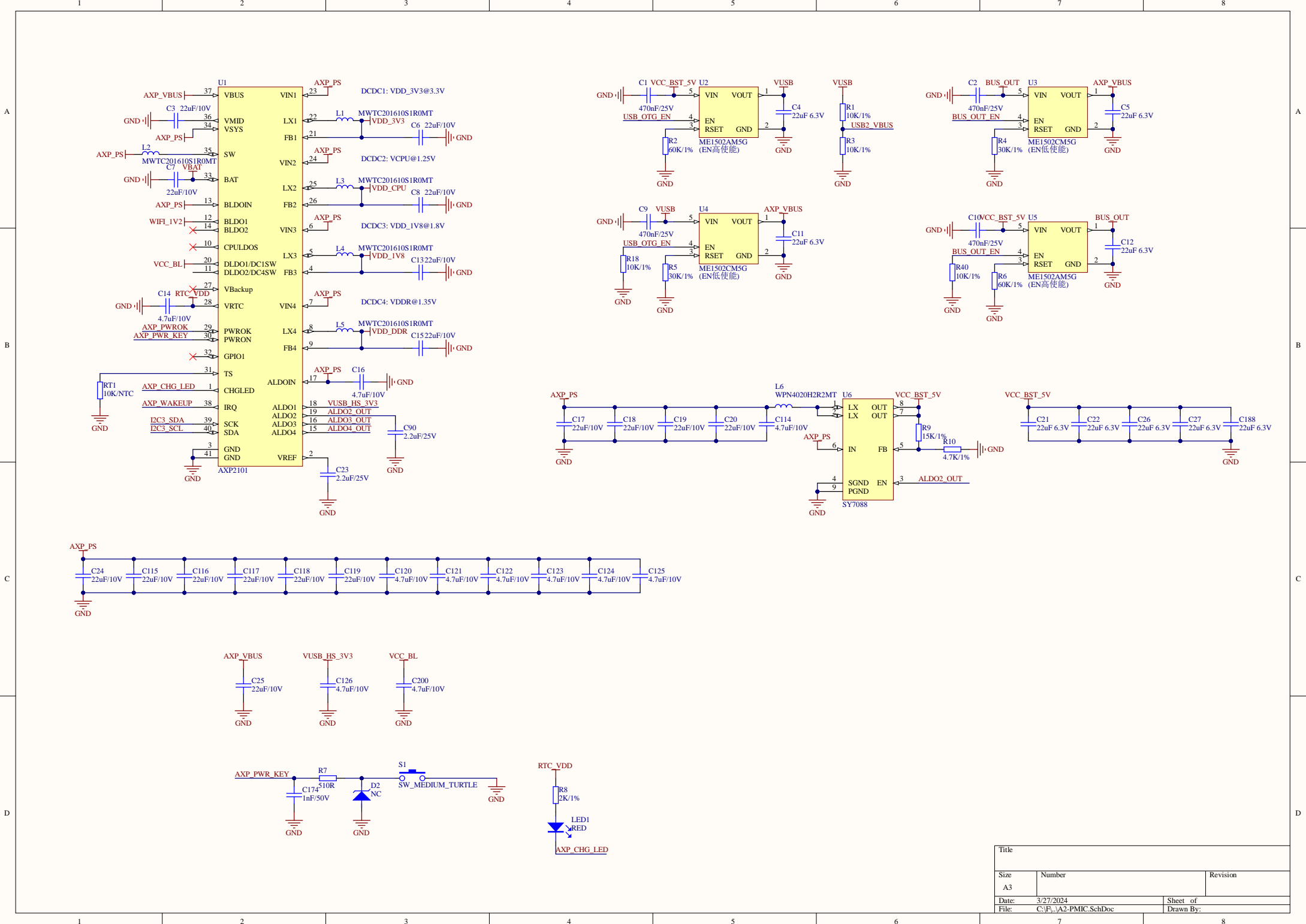
D



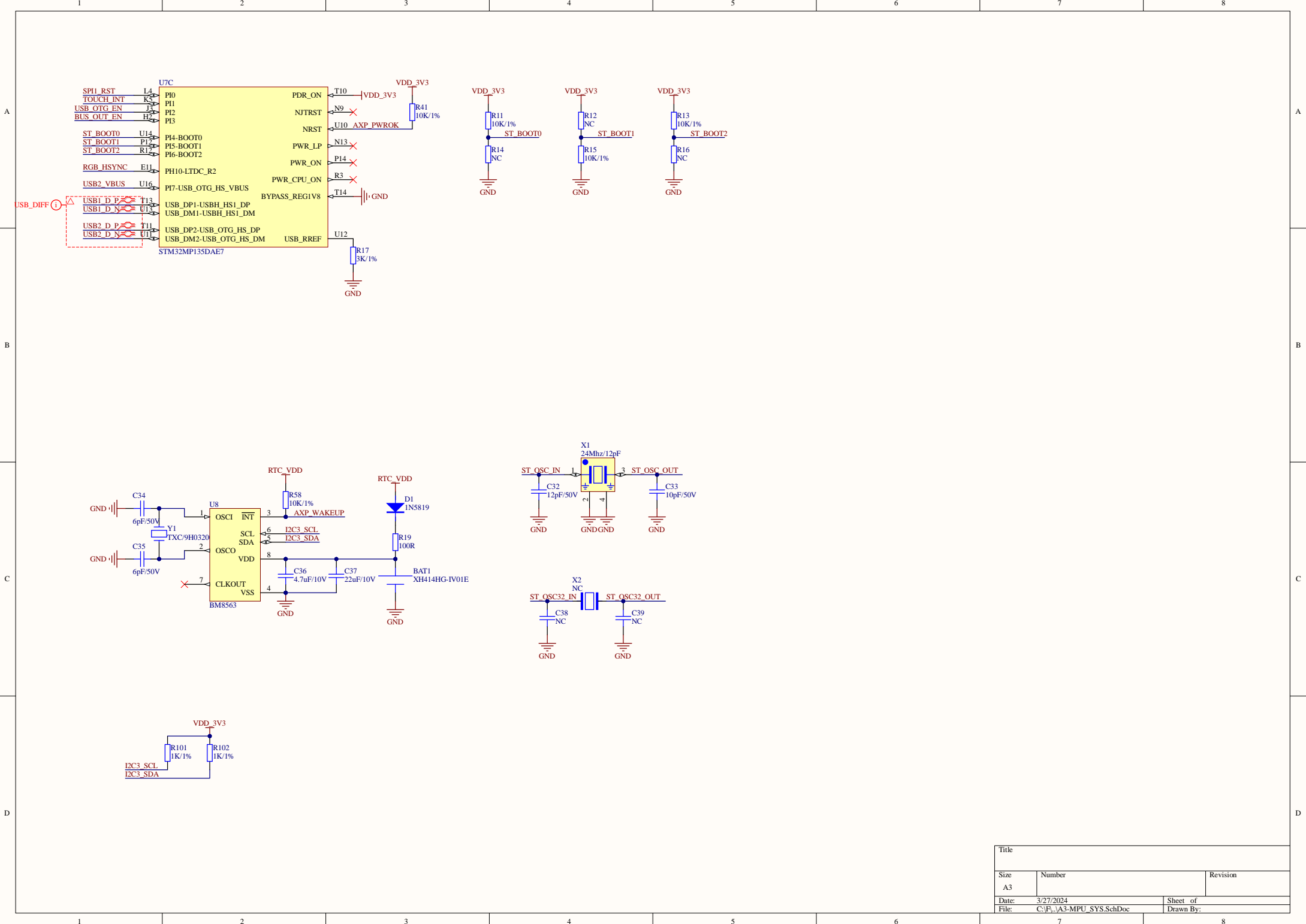
Title		
Size	Number	Revision
A		
Date:	3/27/2024	Sheet of
File:	C:\F\...\A12-INTERFACE.SchDoc	Drawn By:



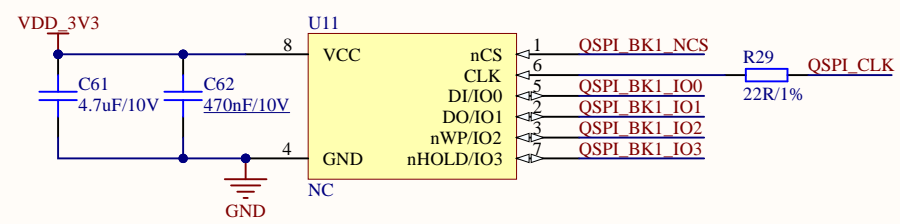
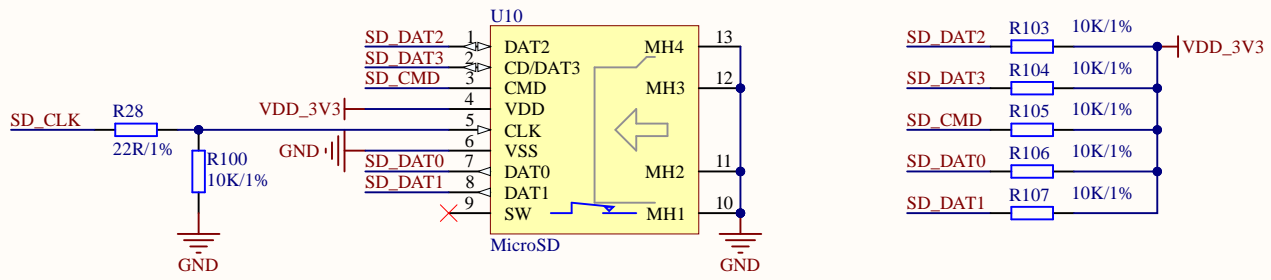
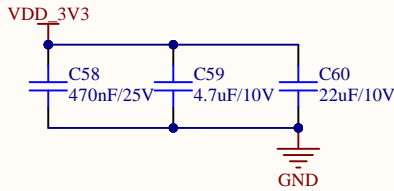
Title		
Size	Number	Revision
A3		
Date:	3/27/2024	Sheet of
File:	C:\E_\A2.1-MPU_PWR.SchDoc	Drawn By:



Title		
Size	Number	Revision
A3		
Date:	3/27/2024	Sheet of
File:	C:\E_\A2-PMIC.SchDoc	Drawn By:

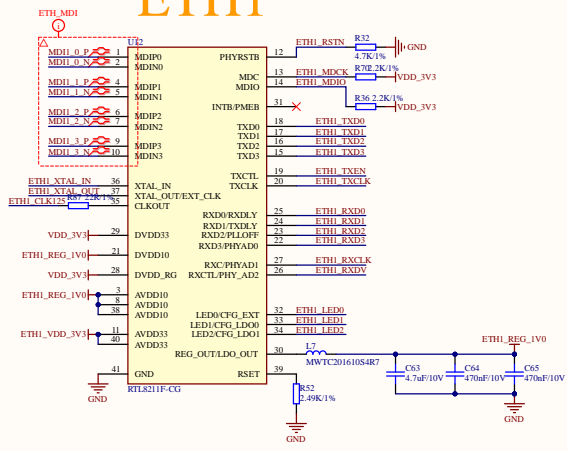


Title		
Size	Number	Revision
A3		
Date:	3/27/2024	Sheet of
File:	C:\EVA3-MPU_SYS.SchDoc	Drawn By:



Title		
Size	Number	Revision
A		
Date:	3/27/2024	Sheet of
File:	C:\F\...\A5-MPU_Storage.SchDoc	Drawn By:

ETH1



PHY0 Address = 38001



Pull Down, PPL, coonime toggling@ALDPS Mode



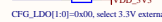
Pull Up to add 2ns delay to TXC/RXC



Pull up to use external power source for IO



CFG_LDO[1:0]=0x00, select 3.3V external power



CFG_LDO[1:0]=0x00, select 3.3V external power

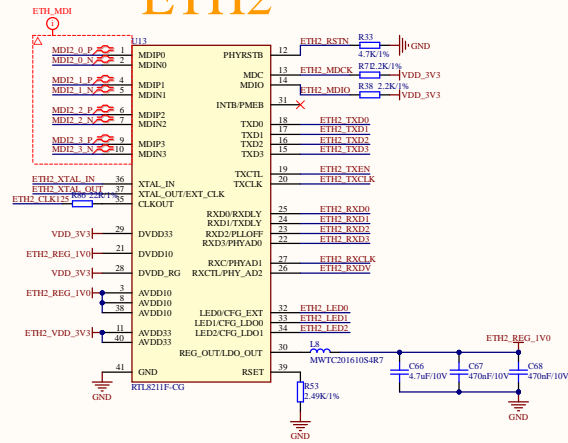


CFG_LDO[1:0]=0x00, select 3.3V external power

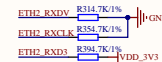


Device ID	Device ID	Device ID
0x00000000	0x00000000	0x00000000
0x00000001	0x00000001	0x00000001
0x00000002	0x00000002	0x00000002
0x00000003	0x00000003	0x00000003
0x00000004	0x00000004	0x00000004
0x00000005	0x00000005	0x00000005
0x00000006	0x00000006	0x00000006
0x00000007	0x00000007	0x00000007
0x00000008	0x00000008	0x00000008
0x00000009	0x00000009	0x00000009
0x0000000A	0x0000000A	0x0000000A
0x0000000B	0x0000000B	0x0000000B
0x0000000C	0x0000000C	0x0000000C
0x0000000D	0x0000000D	0x0000000D
0x0000000E	0x0000000E	0x0000000E
0x0000000F	0x0000000F	0x0000000F

ETH2



PHY0 Address = 38001



Pull Down, PPL, coonime toggling@ALDPS Mode



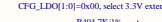
Pull Up to add 2ns delay to TXC/RXC



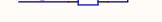
Pull up to use external power source for IO



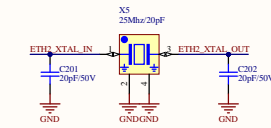
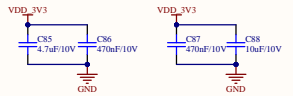
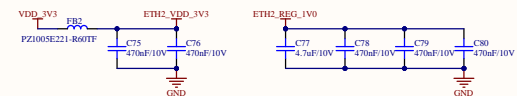
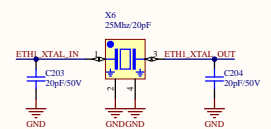
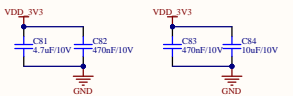
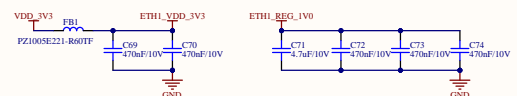
CFG_LDO[1:0]=0x00, select 3.3V external power



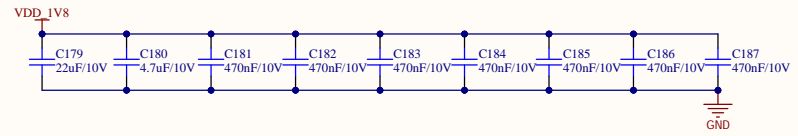
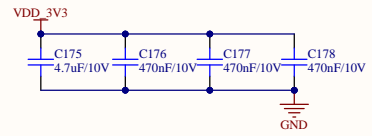
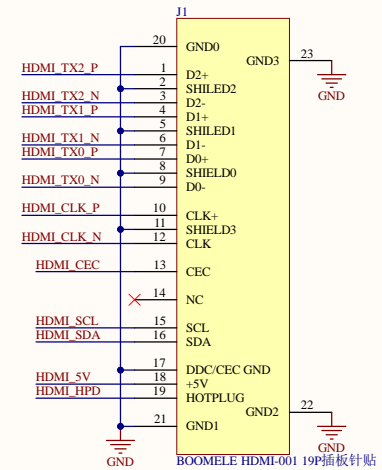
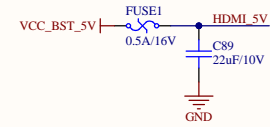
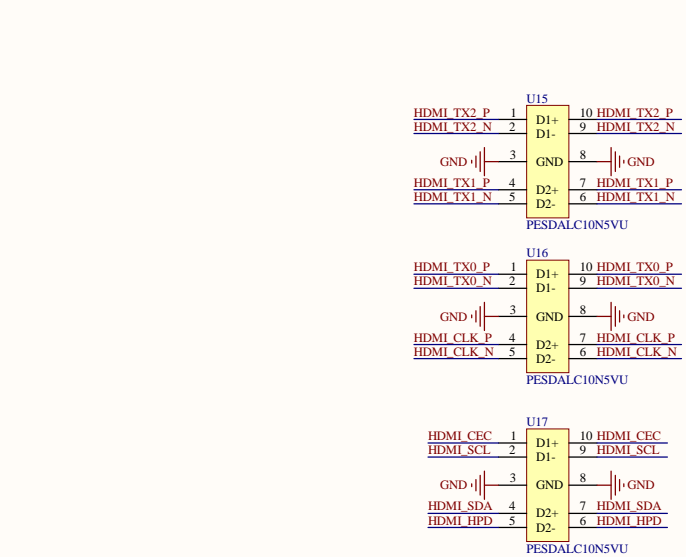
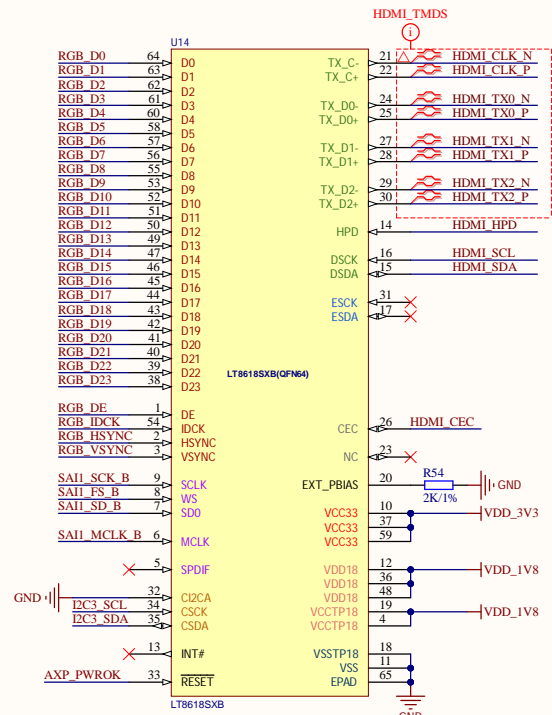
CFG_LDO[1:0]=0x00, select 3.3V external power



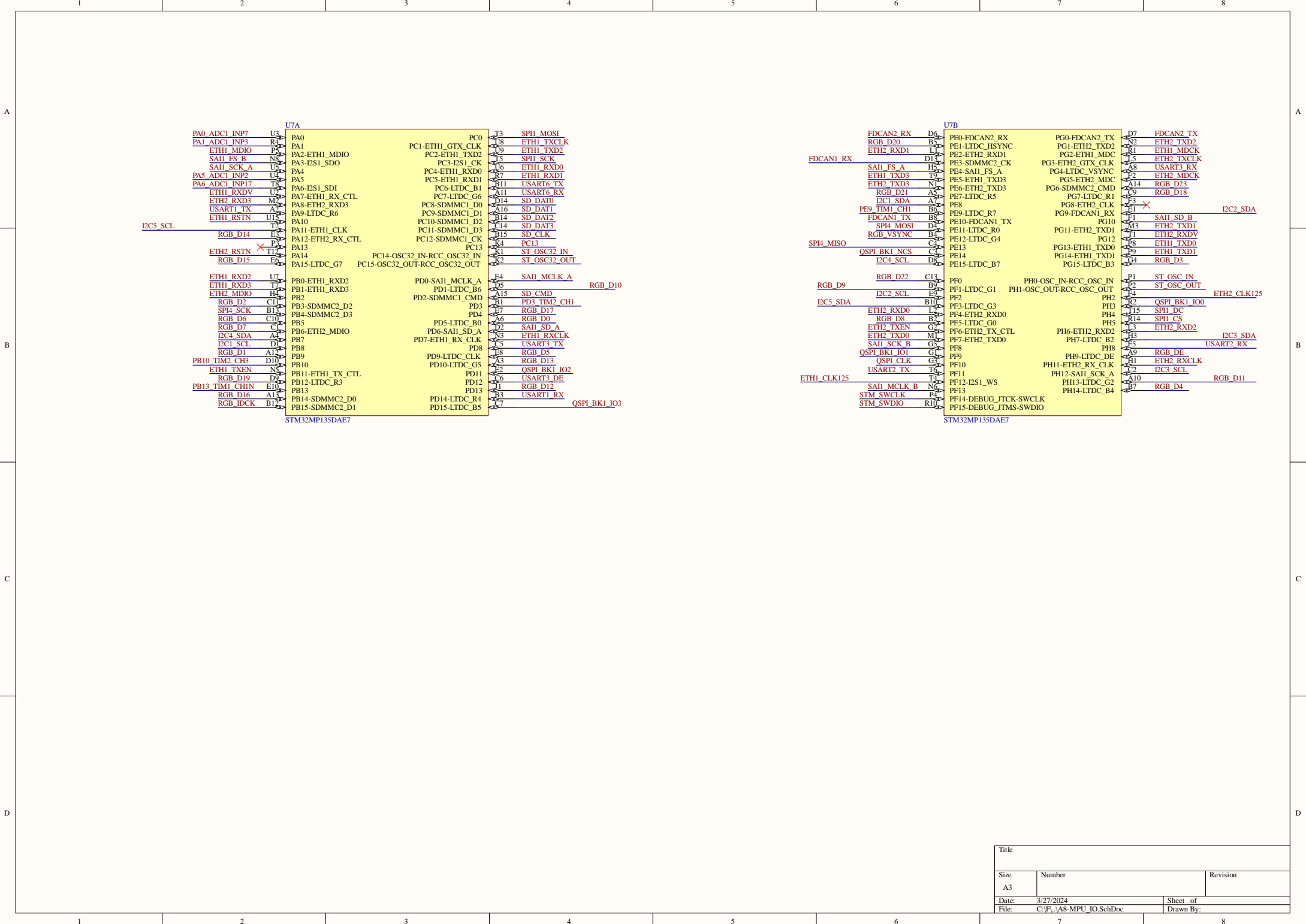
CFG_LDO[1:0]=0x00, select 3.3V external power



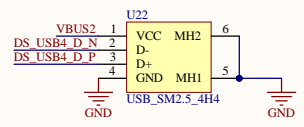
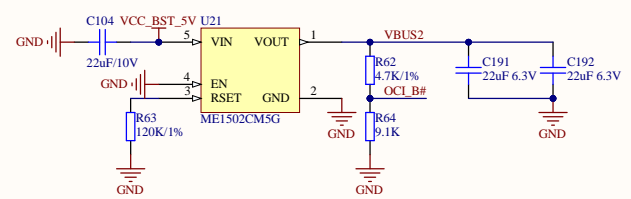
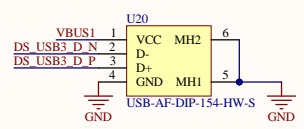
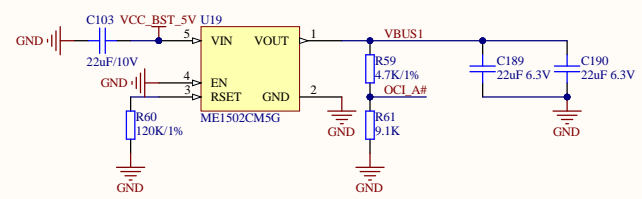
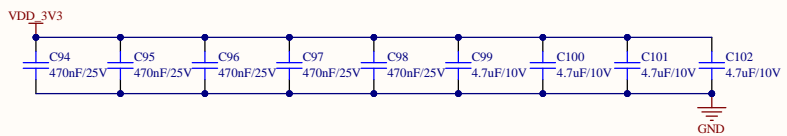
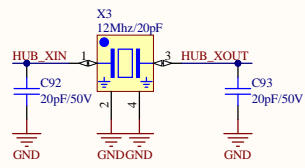
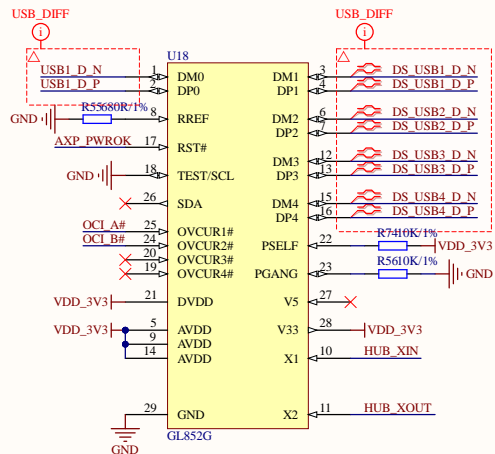
Title		
Size	Number	Revision
A2		
Date	3/27/2024	Sheet of
File	C:\EPC\A6-MPU_ETH.SchDoc	Drawn By:



Title		
Size	Number	Revision
A3		
Date:	3/27/2024	Sheet of
File:	C:\E_\A7-RGB2HDMI.SchDoc	Drawn By:



Title		
Size	Number	Revision
A3		
Date:	3/27/2024	Sheet of
File:	C:\EVA8-MPU_IO.SchDoc	Drawn By:



Title		
Size	Number	Revision
A3		
Date:	3/27/2024	Sheet of
File:	C:\E_\A9-MPU_USB2.SchDoc	Drawn By: