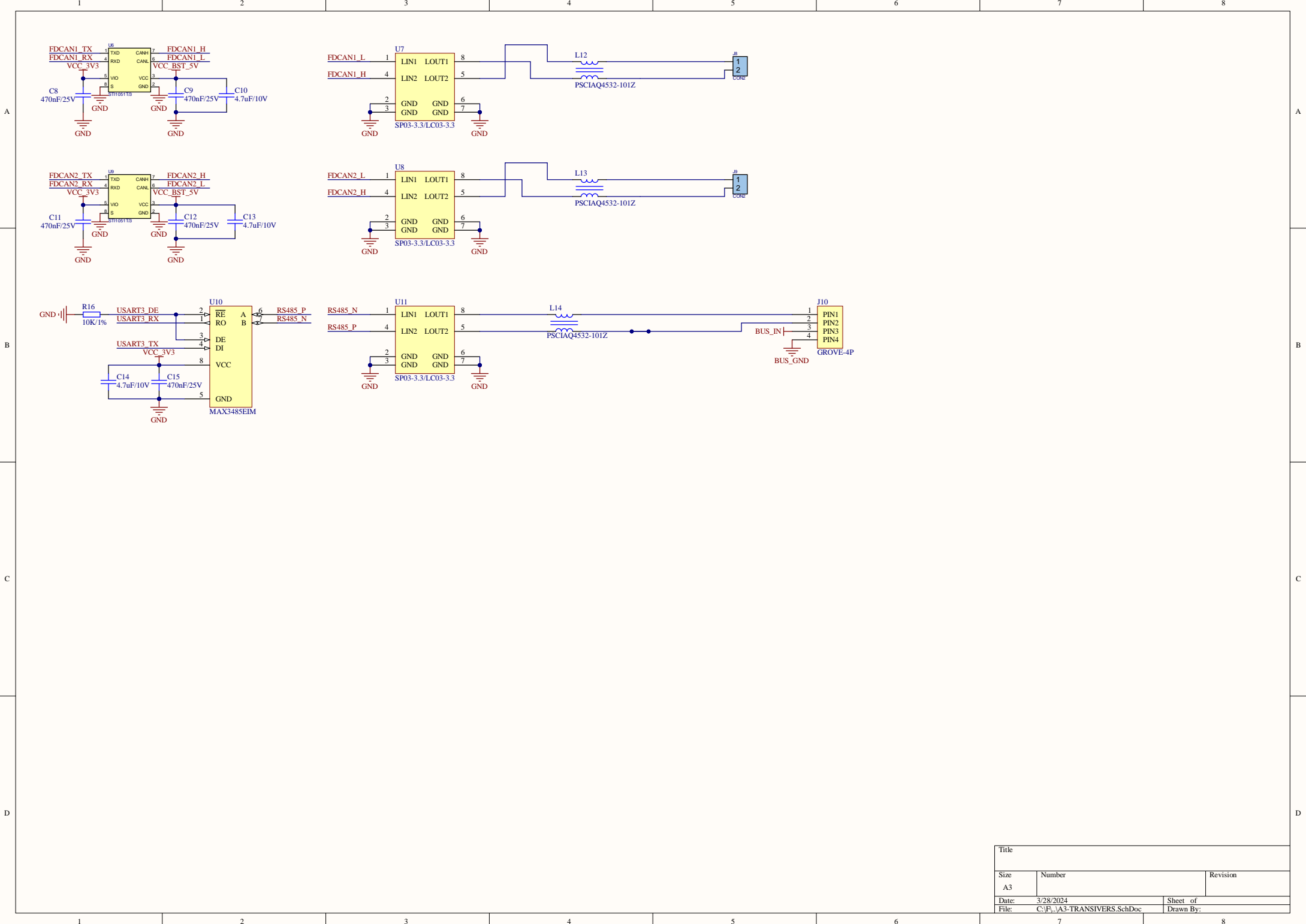
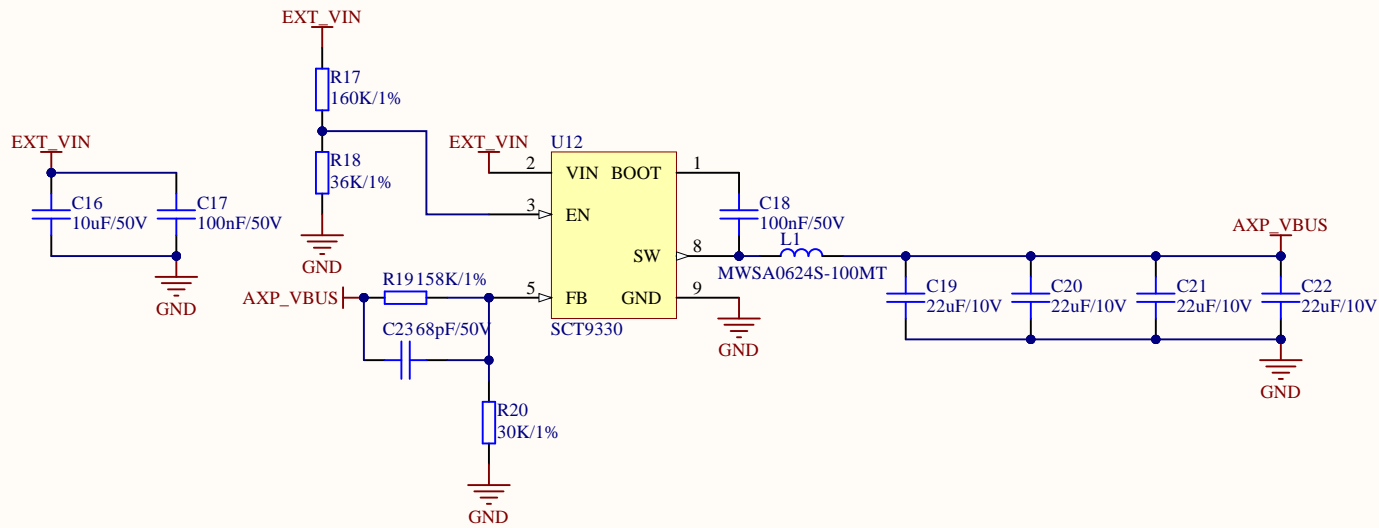


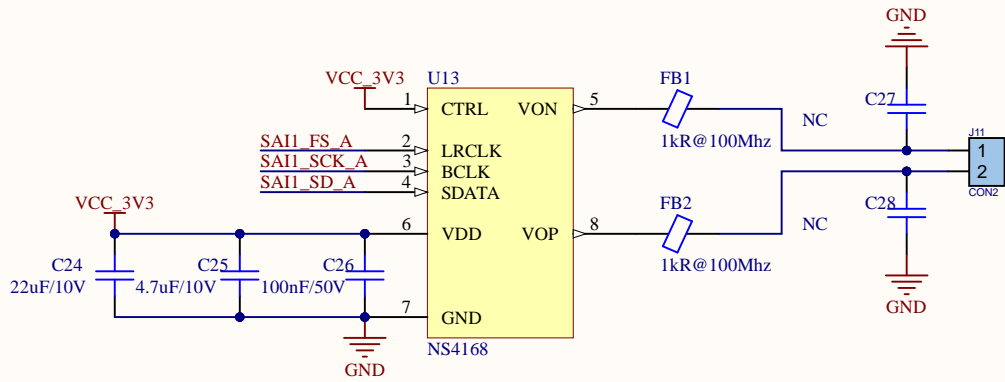
Title		
Size	Number	Revision
A2		
Date:	028/2024	Sheet of
File:	C:\E\I\AS\INTERFACE SchDoc	Drawn By:



Title		
Size A3	Number	Revision
Date: 3/28/2024	Sheet of	
File: C:\E_\A3-TRANSIVERS.SchDoc	Drawn By:	



Title		
Size	Number	Revision
A		
Date:	3/28/2024	Sheet of
File:	C:\F\...\A4-PSU.SchDoc	Drawn By:



Title		
Size A	Number	Revision
Date: 3/28/2024	Sheet of	
File: C:\F\...\A5-AUDIO.SchDoc	Drawn By:	