

1

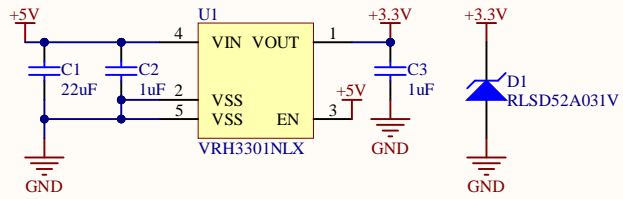
2

3

4

A

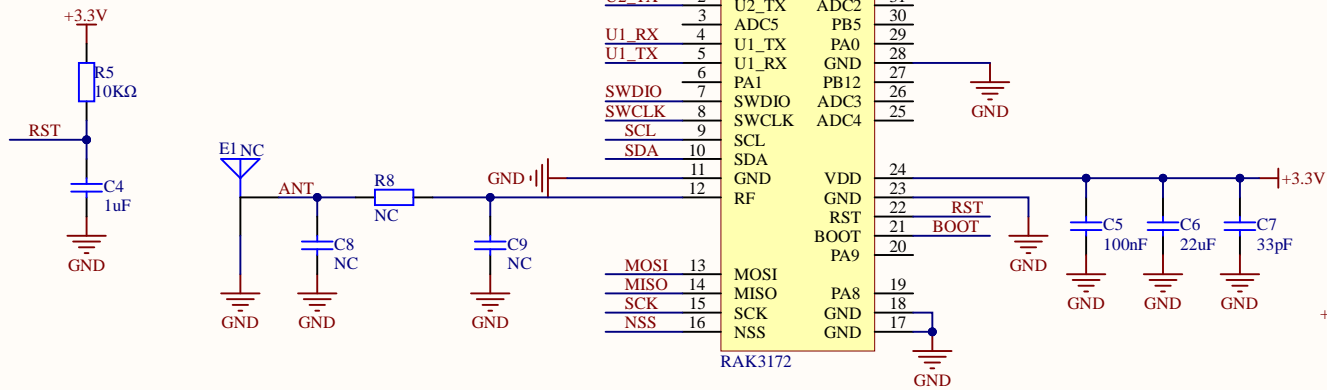
A



|  |     |
|--|-----|
|  | 470 |
|  | 868 |
|  | 915 |
|  | 923 |

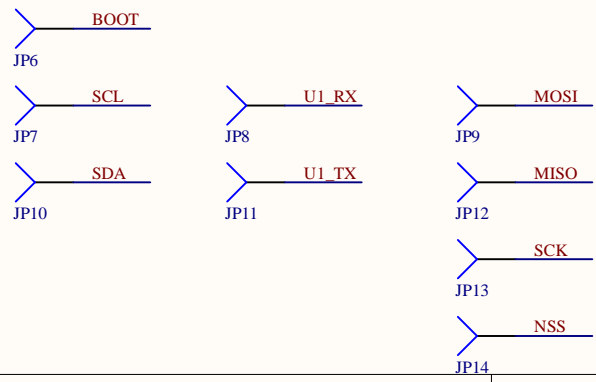
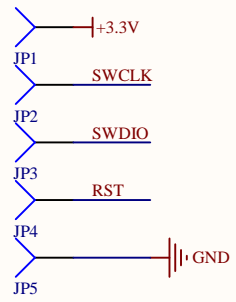
B

B



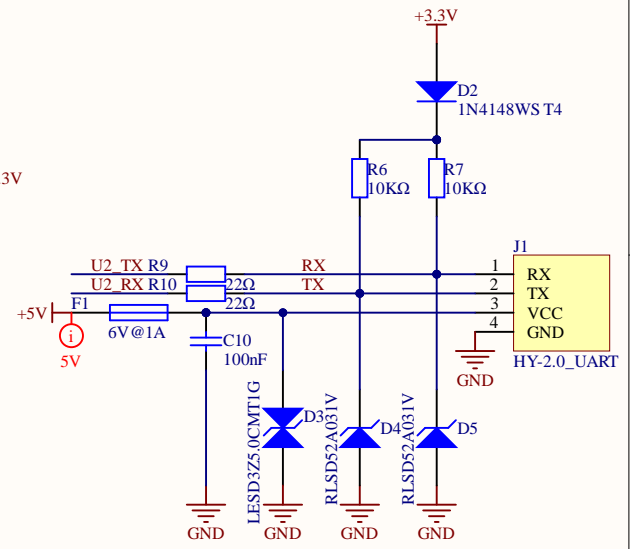
C

C



D

D



1

2

3

4