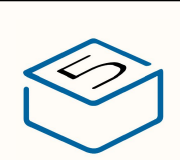
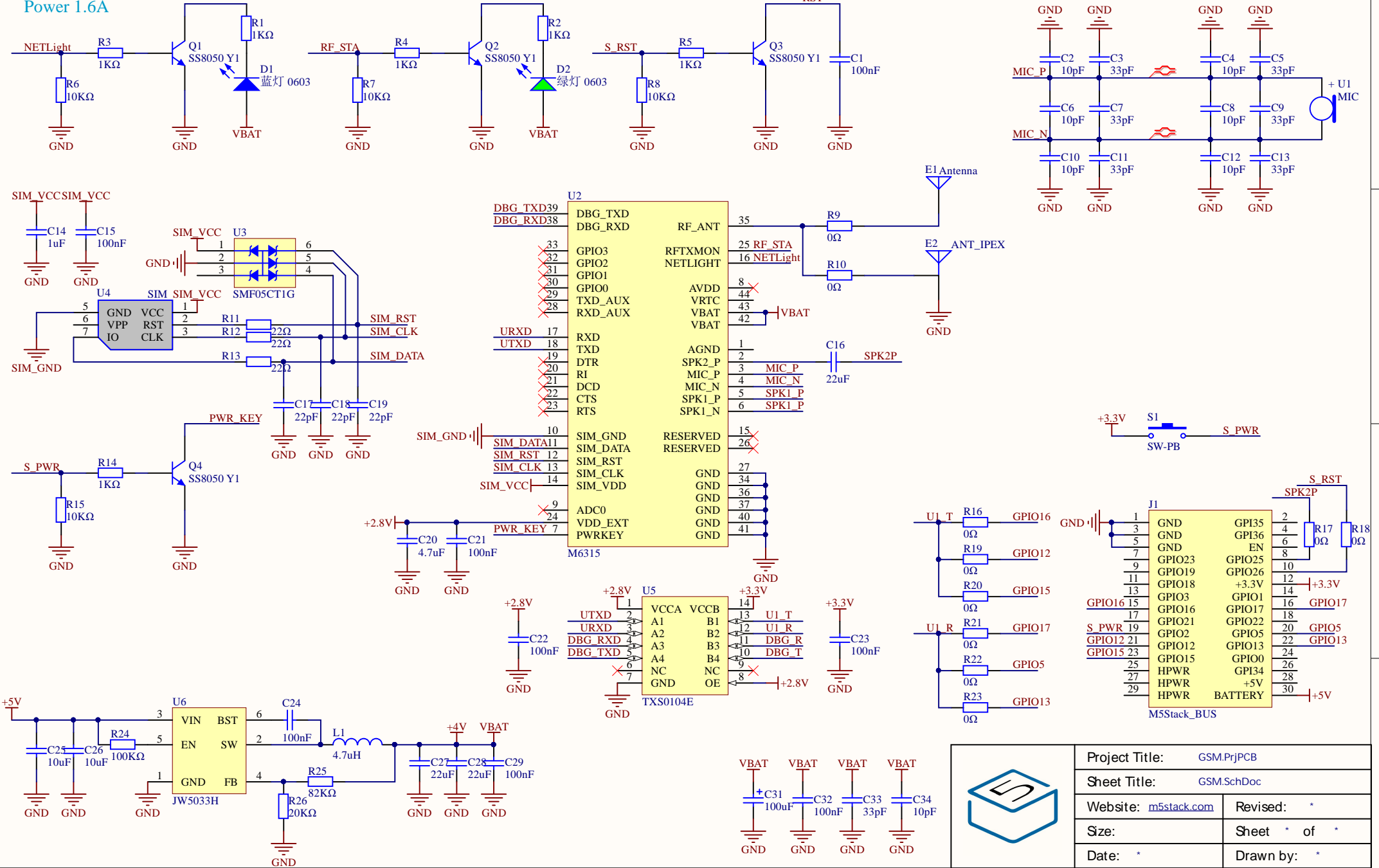


Power 1.6A



Project Title: GSM.PrjPCB	
Sheet Title: GSM.SchDoc	
Website: m5stack.com	Revised: *
Size:	Sheet * of *
Date: *	Drawn by: *