

A

B

C

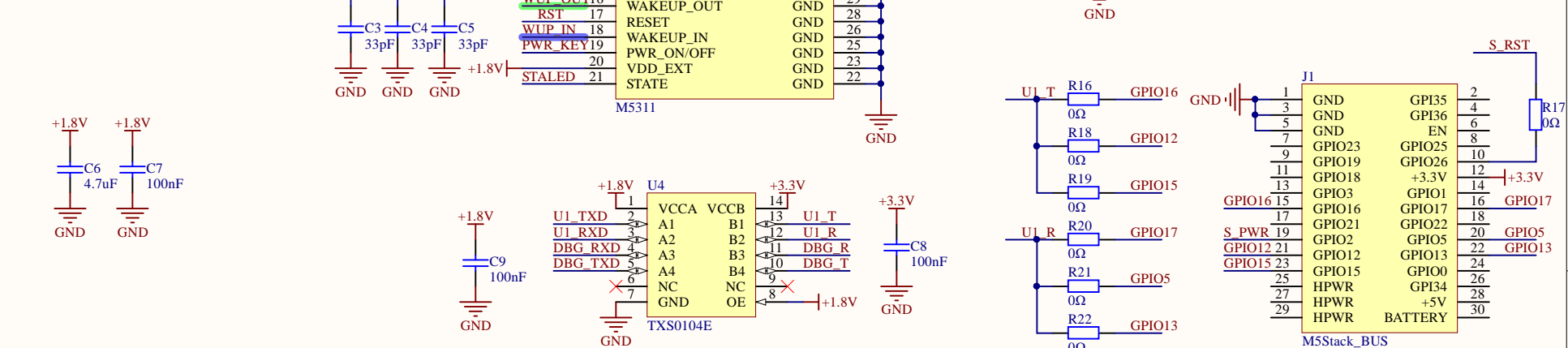
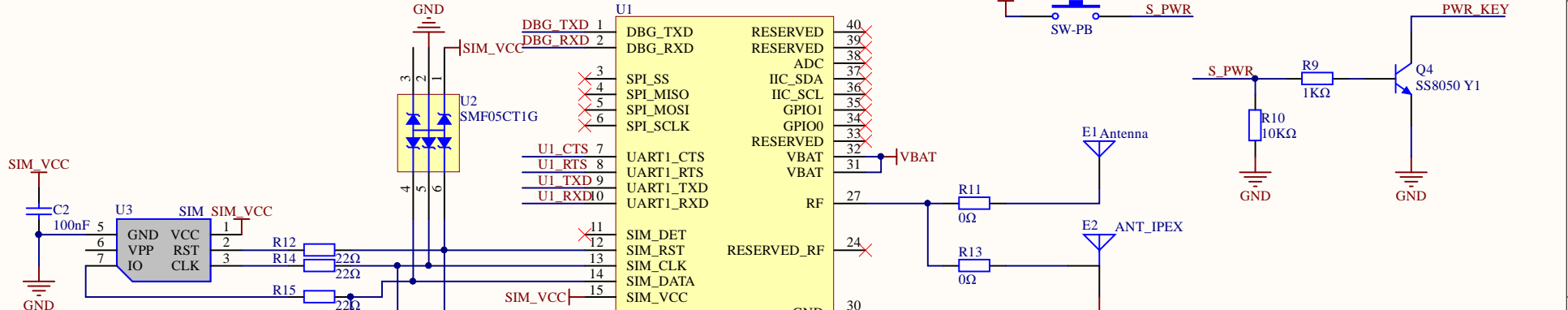
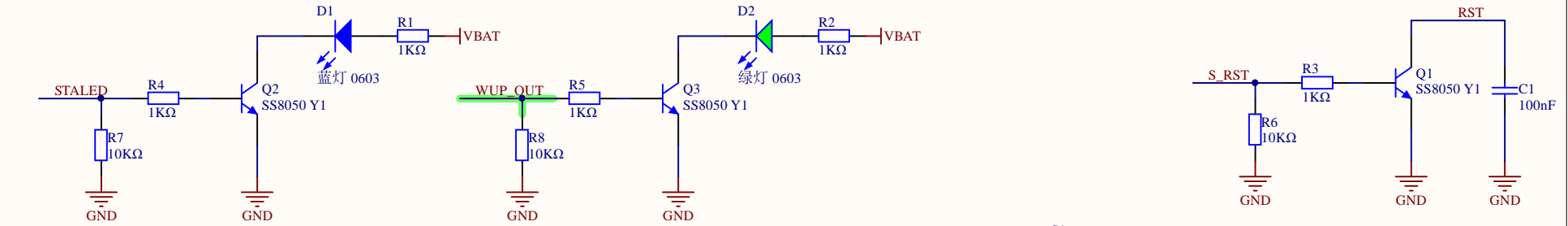
D

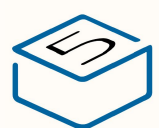
A

B

C

D



	Project Title: NB-IoT.PrjPCB	
	Sheet Title: NB-IoT.SchDoc	
	Website: m5stack.com	Revised: *
	Size:	Sheet * of *
	Date: *	Drawn by: *