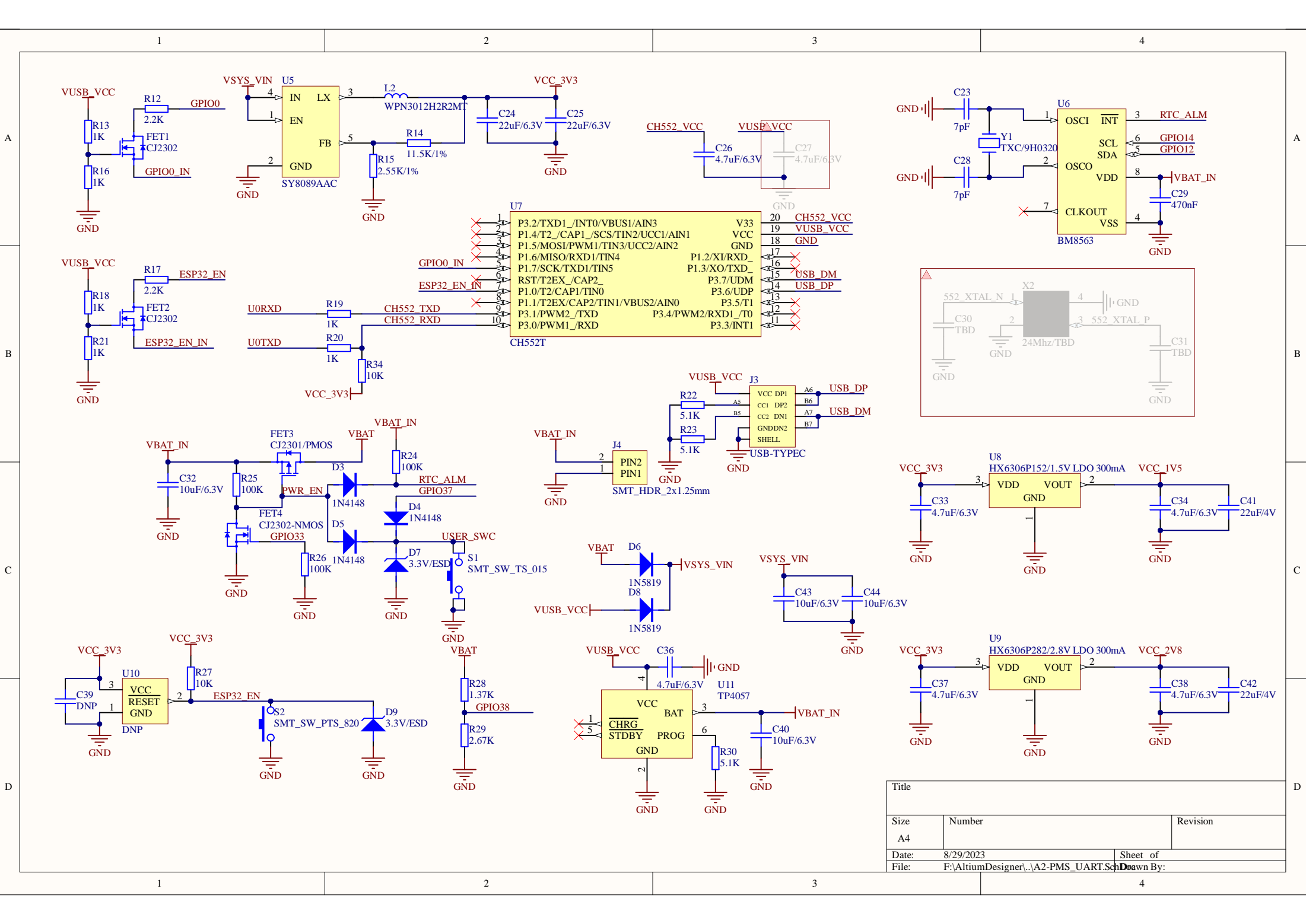


Title:		Title	
Date:	A4	Number	Revision
Project Name:		Date: 8/29/2023	Sheet of
File: F:\AltiumDesigner\...\A1-ESP32_SUBSYS		Drawn By:	



Title		
Size	Number	Revision
A4		
Date:	8/29/2023	Sheet of
File:	F:\AltiumDesigner\A2-PMS_UART.SchDoc	